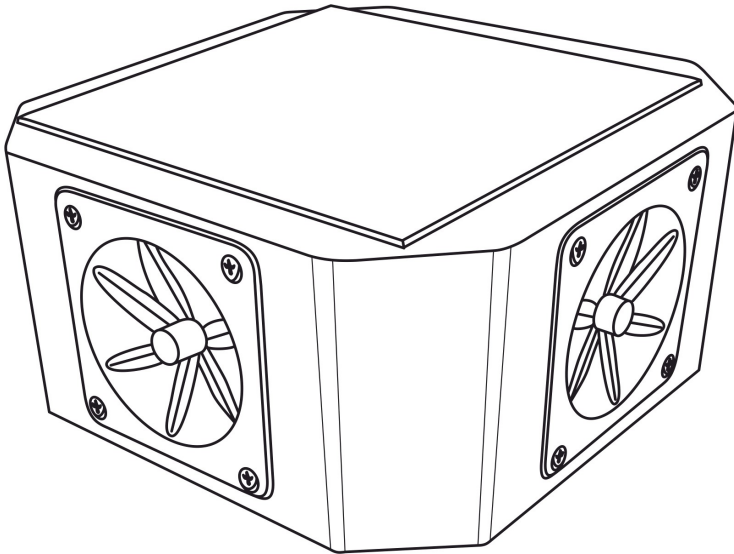


Doxmand[®] VR4

Ultrasonic wild animal repellent
Type: X7



PACKAGE CONTENTS

- ✓ Doxmand VR4 ultrasonic wild animal repellent
- ✓ Support bracket
- ✓ Battery clip
- ✓ User's Guide
- ✓ Warranty Card

Accessories*

- External Solar Panel

* *Optionally available*

Developed and ~~made~~ in Hungary



info@doxmand.hu | www.doxmand.hu

Dear Customer!

Thank you for choosing one of our quality products! The functions and handling of the device are described below. Proper use is a prerequisite for reliable operation, so please read and follow the operating, storage, and safety instructions carefully before installation! Keep this manual in order to help you later! If you have any questions about the device, please contact our customer service. It would be an honor for us if you would continue to offer our product to others.

The Doxmand team wishes you a successful wild animal alert!

IMPORTANT SAFETY INFORMATION BEFORE USING THE DEVICE

1. GENERAL WARNINGS

Read carefully this manual before using the device and keep it for future use as well! The accessories delivered may differ from product to product! You must always comply with the basic safety standards in your own interest!

Improper use of the device is dangerous!

After removing the packaging, make sure that the device is not damaged! If you see any damage on the device, do not use it, send it back!

Keep the packaging materials out of reach of small children because these can be dangerous!

The manufacturer or distributor takes no responsibility for any damage, personal injury, resulting from improper use or improper storage, or for malfunctions resulting from repairs by unauthorized people!

The malfunctioning device may only be repaired by a specialist designated by the manufacturer or distributor! Never try to repair your device at home!

If you notice a malfunction in the operation of the device, contact your service center for assistance!

Use of this device is not recommended for children under 8 years of age! The device may be used by children over the age of 8 years or by persons with reduced physical, sensory, or mental abilities under supervision, provided that they are informed of the safe operation of the device and the dangers involved!

Do not use the device if you or a person near you are suffering from seizures!

Do not use the device if you or a person near you are sensitive to high tones!

Do not let children play with the device!

Cleaning and maintenance which can be done by the user must not be performed by children without supervision!

Always check the device before use. Do not use the device if it is malfunctioning, as this may cause injury!

Do not attempt to replace the battery of the device!

Do not attempt to disassemble the device!

Do not attempt to remove some parts of the device (e.g., solar panel)!

Use and store the device at the temperature described in the technical parameters!

Do not immerse the device in water!

2. TECHNICAL CHARACTERISTICS OF DOXMAND VR4 WILD ANIMAL ALARM

Alarm frequency:	21 kHz – 28 kHz
Piezoelectric speaker:	4 pcs
Alarm range:	100 m
Interval between alarms:	14-30 sec
Alarm length:	50 - 320 sec
Dimension:	200 x 200 x 105 mm
Net weight:	1030 g
Operating temperature:	(-)15 – (+)50 °C
Storage temperature:	(-)20 – (+)25 °C
Li-Ion battery:	7000 mAh, 3,6 V
Monocrystalline solar panel:	4,5 W

3. EU DECLARATION OF CONFORMITY

CE The EU Declaration of Conformity for this product is available at the following email address: info@doxmand.hu

4. ELECTROMAGNETIC FIELDS (EMF)

This device complies with the standards for electromagnetic fields (EMF). If it is operated in accordance with the instructions, according to the state of art, the device is safe.

5. DATA OF MANUFACTURER

Doxmand Hungary Ltd.

HU-9096 Nyalka Kossuth út 73.
Hungary

www.doxmand.hu | info@doxmand.hu | +36-30-692-8785

USER MANUAL

1. GENERAL INFORMATION

Doxmand wild animal alarms have been developed primarily for agricultural use and for disrupting wild animals. Devices generate variable ultrasound. The key to successful wildlife alarm lies in the correct placement. It is very important that the wild animal alarm should be placed in the area to be protected according to the characteristics of the area and the arrival direction of wild animals.

The Doxmand wild animal alarm does not guarantee that animals will not attempt to penetrate the area but will be forced to go to other areas where they will feel better due to the annoying sound frequency, which reduces the amount of damages caused by wild animals. The sound of our product is largely within the ultrasound range, but it can also produce lower frequencies (21 kHz to 28 kHz). Due to the sophisticated hearing of the bigger wild animals, the sounds in this frequency range have a disturbing effect on them. **In order to achieve the best efficiency, we recommend that you should use the wild animal alarm for prevention!** Alarming more than one bigger wild animal at a time is harder and more tiring than keeping a device for prevention!

DID YOU KNOW? - What is Ultrasound?

Ultrasound is the frequency of more than 20 kHz. The average person does not detect this range. At a younger age we hear the best, so children can hear the high frequency. Ultrasound is used in many areas of life, especially in medical technology (e.g., tooth scale removal, ultrasound diagnostics) or in other fields, e.g. measurement tests, disinfection. Many animals are able to hear this frequency, some of them are even communicating or orientating with it.

IMPORTANT!

Different materials conduct and absorb ultrasound in varying degrees. This property is the acoustic resistance of the material, which is largely related to the water content. When ultrasound encounters a solid object, it behaves like other waves, its energy decreases due to absorption and the spreading direction changes, even breaks or can be reflected. That is why it is important to place the Doxmand device properly!

1.1 IMPORTANT INFORMATION ON THE METHOD OF EFFECT AND APPLICATION

The Doxmand wild animal alarm does not cause the death of animals and does not cause any harm to them, unlike other wild animal alarm methods! When the animals hear the ultrasound, they will be frightened or they will find it unpleasant, thus they will rather leave the area. **If the animals notice that the unpleasant sound is persistent, they move to another area. Until this effect prevails, it may take several days. The device must work permanently to avoid interrupting the effect.**

2. APPLICATION INSTRUCTIONS

2.1. PLACEMENT GUIDE

If you know the area and wild animal habits, you won't have to cover the entire area you want to protect.

Recommended layouts:

Agricultural arable lands

Place it on the center of the land. You should point the speaker outward in the direction where the arrival of wild animals is most likely. If you want to protect a wider area, you need to install more alarms. The height of the device depends on the height of the crop; it is important to place it at least 50 cm above the crop, not to prevent the sound from spreading. FOR BETTER RESULTS, it is advisable to place 1-2 m above the crops.

Vineyards, orchards protection

Making sure that the solar cell receives sufficient sunlight and the spread of ultrasound is ensured. It is sufficient to place the device at a height of 1-1.5 m from the ground. Note that the range is approximately 100 m, so it is advisable to place the next device within 200 m and thus continue the installation. Of course, it has to be taken into account that ultrasound can be reflected from the trunk of trees, from vines, and they can be diverted thus their effect can be reduced.

IMPORTANT! For both methods, the **spread of sound in the air should be ensured**, and do not collide with any obstacles! Since the alarm is powered by solar energy, make sure that **the solar cell is always exposed to sunlight!** The sound generated by the device spreads at an angle of **approximately 120 degrees** from the speaker, and its **intensity decreases** with the distance travelled in the medium.

Of course, other successful layout methods than the above may exist due to the different features of the areas. Therefore, if the first attempt would be unfavorable, you should try another layout.

For accurate placement planning, please visit the following website: www.doxmand.hu/designer!

2.2. INSTALLATION:

To use the Doxmand VR4 wild animal alarm, follow these steps below:

1. **Survey of the area:** Examination of the area to be protected, determination of the **expected arrival/characteristic movement direction** of the wild animals.
2. **Positioning the device: 2.1. As described in the placement guide!** Placement can be done on a grounded column/stake, making sure that **the solar cell is not covered**, always exposed to sunlight, and that the **free spread of the sound** is not obstructed. Use the screwdriver and screws provided to secure the device to the desired location.

Turning on: The operation of the device can be verified as follows: After turning on, the device beeps 1-3 to indicate the battery charge level and then starts emitting ultrasound.

Beeps:

The states of charge indicator (first 1-3 beeps at power-on)

- 3 beeps Fully charged status.
- 2 beeps Medium charged status.
- 1 beep Low power, waiting for sunshine.

If the device is charging from an external unit, a higher frequency sound after the charge status indicator will indicate that the external charging unit is connected.

- 3 beeps – For 12.3-14V outdoor unit
- 2 beeps – For 10.3-12.2V outdoor unit
- 1 beep – For 5-10.2V external unit

Light signals:

- When the LED is lit, the device is switched on.
- When the LED is off, the device is switched off.

IMPORTANT! The alarm is strongest with 3 beeps and weakens with 2 beeps. In the event of one beep, the device will no longer sound an alarm, preventing the Li-ion battery cell from being discharged excessively, which would cause damage. It will reactivate after the next sunny period.

When charging externally from a 12V battery, the device protects the battery from discharging, so if the battery voltage drops below 10.2V, the device automatically disconnects it, charging stops, thus protecting the battery from excessive discharge.

THE SOLAR PANEL CHARGES THE BATTERY ONLY WHEN IT IS TURNED ON!

If there is a protective film on the solar panel, it is advisable to remove it before using the product for the first time, as after a while the Sun may burn it, which can make it difficult to remove and affect the proper energy consumption!

2.3 EXTERNAL SOLAR PANEL

There is a connector under the device which may connect the additional solar panel. This can be a solution for charging problems in the winter time. When the number of sunny hours is lower or there is snow on the solar panel. Additional solar panels are not included, they are optional.

3. CLEANING AND MAINTENANCE

IMPORTANT! Do not immerse the device in water! Do not use a strong detergent, abrasive scrubber to clean the appliance! Clean the device with a damp, soft cloth. Over time, the solar cell may become whitish and become scale-coated, affecting the power supply of the device. It is therefore advisable to wipe it occasionally, for example by cleaning it with a recommended WD-40 or limescale cleaning agent.

4. STORAGE

IMPORTANT! When using the device periodically, please comply with the appropriate storage conditions for a longer lifetime! If the battery charge is too low or too high, you can shorten the battery life. Its storage temperature is recommended between (-)20 and (+)25 °C. **Always turn off the device when not in use, store it in a closed environment!**

Before putting it on the shelf, it is recommended to clean the device as described above. Check the battery charge! Turn it off and then on again to see how many beeps you hear when you turn it back on. **The device should be stored with a medium charged battery, so you should hear exactly 2 beeps when you turn it back on.** If you hear exactly two beeps, turn it off and you can put the device away.

If you hear 3 beeps, cover the solar panel while it is on and after a few hours try to turn it on and off again. Repeat until you hear 2 beeps when turning on. If you only hear one beep, put it to the sun when it is turned on and let it charge. After a few hours try to turn it on and off again. Repeat until you hear 2 beeps when turning on.

5. TROUBLESHOOTING

Before contacting a service center, please check the following options:

PROBLEM	POSSIBLE CAUSE	POSSIBLE SOLUTION
The effect of the alarm is weakened. Low battery level (1 beep).	The solar cell is not exposed to sufficient sunlight. The battery is only charged when the device is turned on!	It is recharged to the appropriate level with sunlight, but if it still gives you only 1 signal, contact our customer service.

6. WASTE MANAGEMENT

Protect our environment!

Do not dispose of electrical equipment as household waste! Keep the packaging materials out of the reach of small children as these may be dangerous to them! Collect the packaging materials selectively!

If electrical equipment is landfilled, hazardous substances can leak into the groundwater, causing damage to our health and well-being through entering the food chain.

7. DISPOSAL OF USED ELECTRICAL AND ELECTRONIC EQUIPMENT

Disposal of this product may be carried out in any electronic waste collector. Electrical equipment may contain components that are hazardous to the environment.



The environment is the heritage of our grandchildren, the preservation of it is therefore the common interest and responsibility of all of us, so I ask you to help this endeavor!